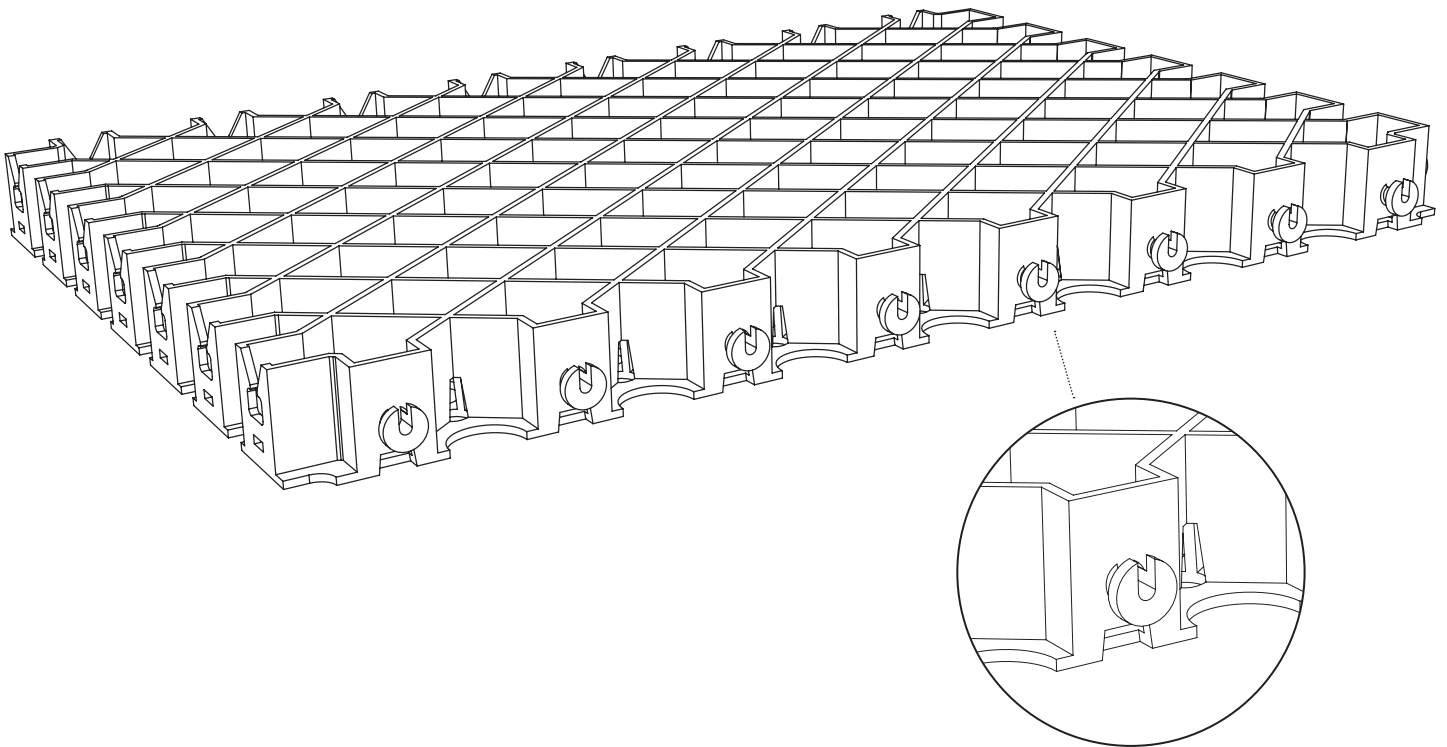




DIAMONDGRID™

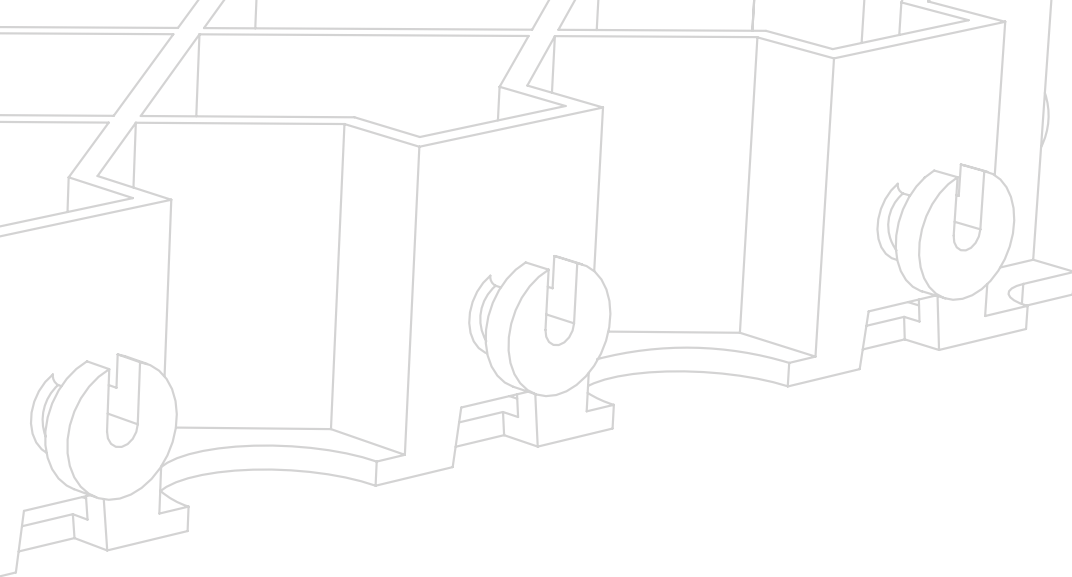
**TOUGHEN  
YOUR TERRAIN**



# DIAMONDGRID™

## Installation Manual





# Contents

Specification Sheet.....	3
DiamondGrid™ Minimal Base Preparation .....	4
DiamondGrid™ Medium Base Preparation.....	7
DiamondGrid™ Excavation and Major Base Preparation .....	11

# Specification Sheet

## DIAMONDGRID™



UV STABILIZED



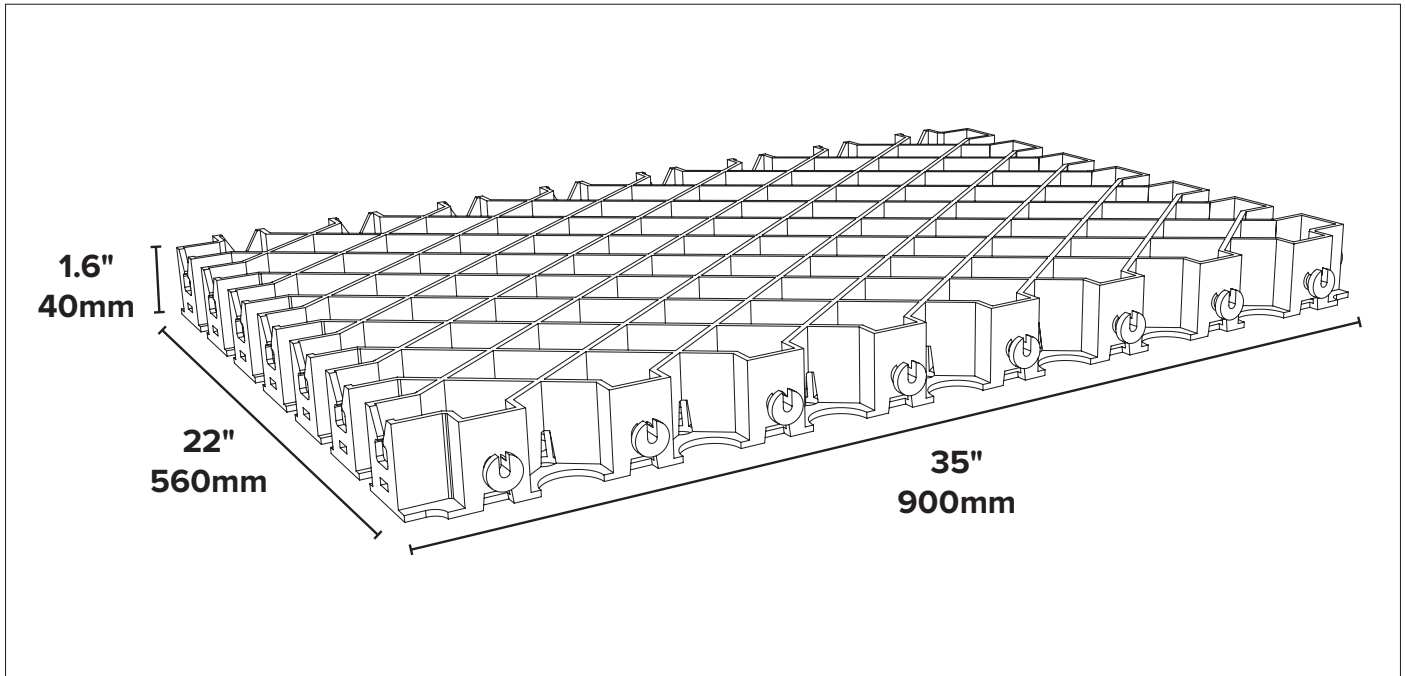
RELOCATABLE



DO-IT  
YOURSELF



INTERLOCKING  
SYSTEM



### Measurements

35" **W** x 22" **L** x 1.6" **H** ♦ 900mm **W** x 560mm **L** x 40mm **H**

### Crush resistance (filled with gravel/road base)

100+ tons/sqft filled\* ♦ 1000+ tonne m<sup>2</sup>\*

### Crush resistance (empty grid)

30 tons/sqft empty\* ♦ 300 tonne m<sup>2</sup>\*

### Weight per grid

7.05 lbs ♦ 3.2kg

### Fill ratio

1 cubic yard of fill per 207.9 square feet ♦ 1 cubic metre of fill per 26m<sup>2</sup>

### Permeability

Up to 96%

### Recommended Fill

Road base, gravel, pebbles, grass, soil, concrete, asphalt

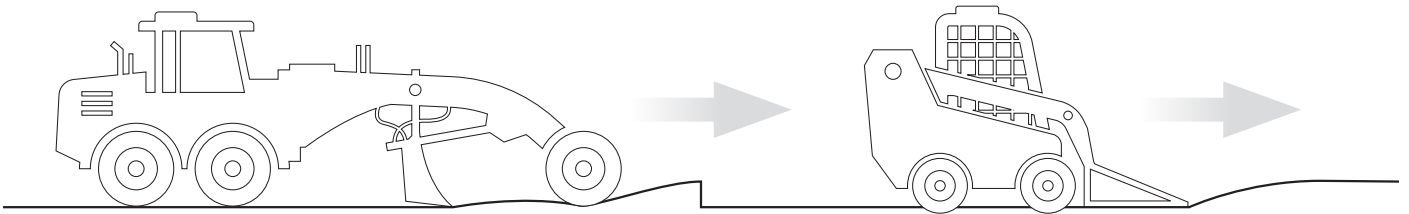
### Applications suitable for Diamond Grid include:

- ♦ Cart paths
- ♦ Access Roads
- ♦ Machinery/Storage Sheds
- ♦ Workshop floors
- ♦ Car parks
- ♦ Turf stabilization



# DiamondGrid™ Minimal Base Preparation

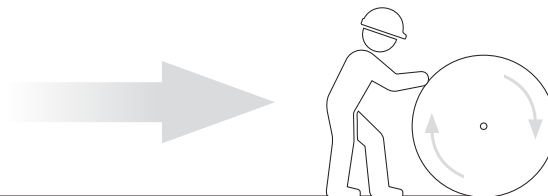
Using a grader or a Bobcat and spreader bar, level the site in readiness to lay your DiamondGrid™.



**Note:** If the site is still uneven, 0.4” (10mm) of crushed 0.2” (5mm) minus rock and fines can be spread as bedding.

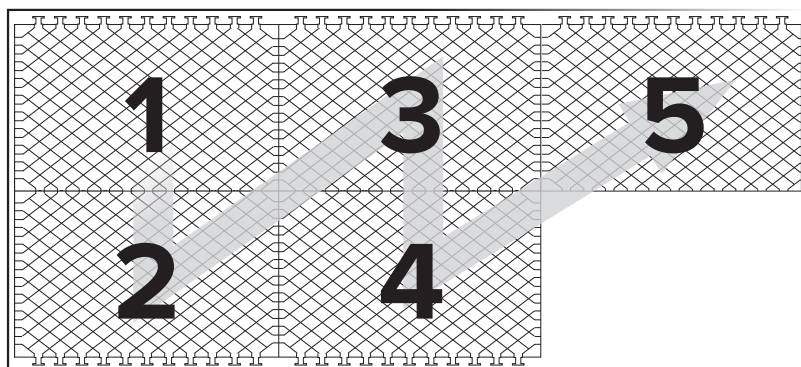
**1**

Lay fabric over the levelled area.

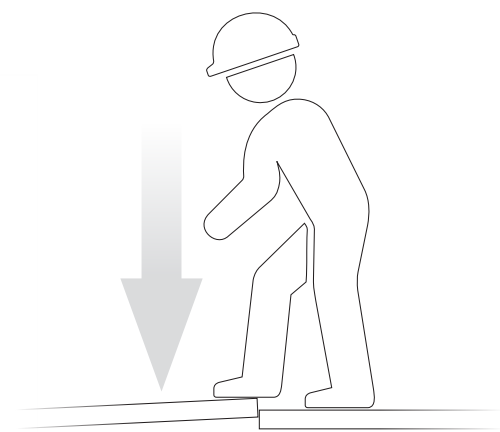


**2**

Lay the DiamondGrid™ grids starting in one corner with the male lugs facing outwards on both male sides. Depress each connection until flat and secure.



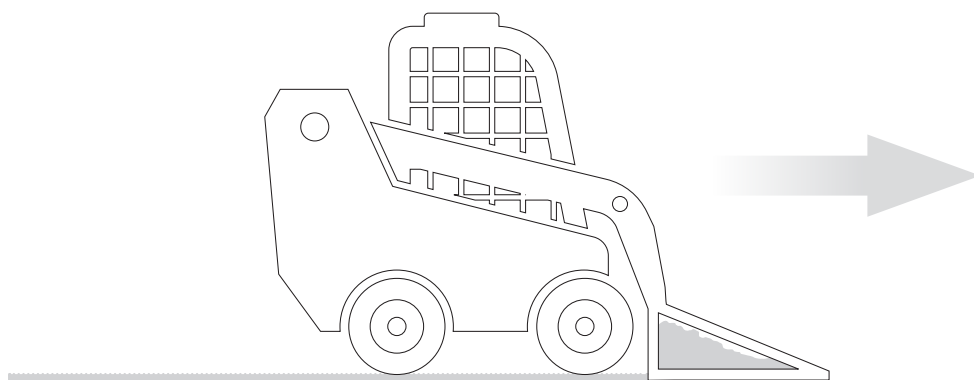
TOP VIEW OF PATH



SIDE VIEW OF PATH

**3**

Fill the DiamondGrid™ with a Bobcat and spreader bar or something similar with your choice of DiamondGrid™ recommended filler materials.



**4**

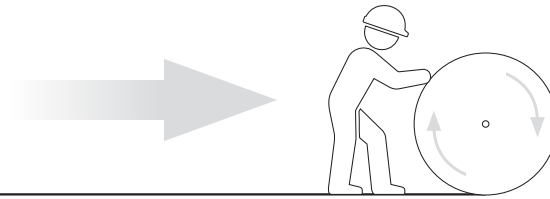


# DiamondGrid™ Medium Base Preparation

# DiamondGrid™ Medium Base Preparation

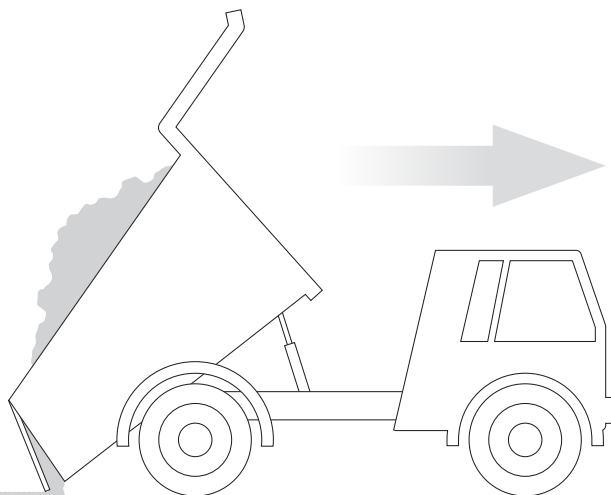


Lay fabric over the area where the grids are going to be laid.



**1**

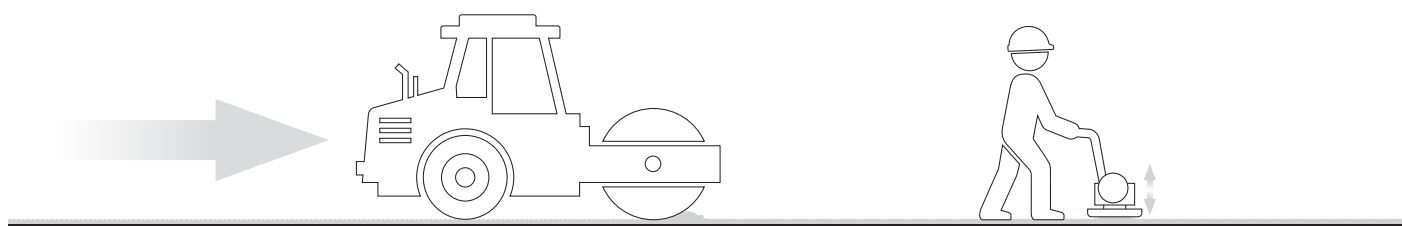
Cover the fabric with road base.



**2**

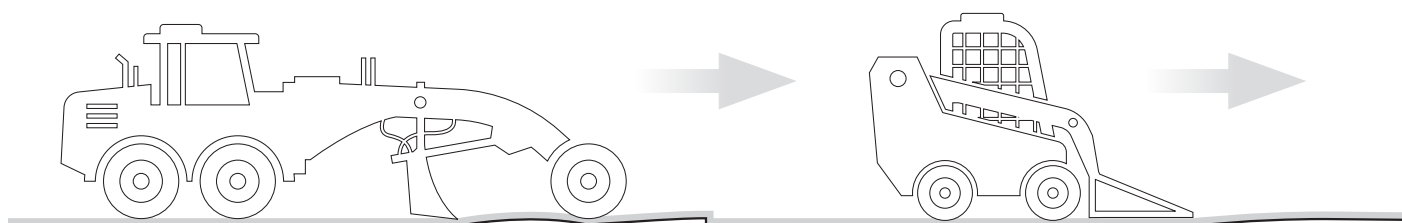


**Compact road base with rollers or vibrating plate to a level 1.6” (40mm) below finish height.**



**3**

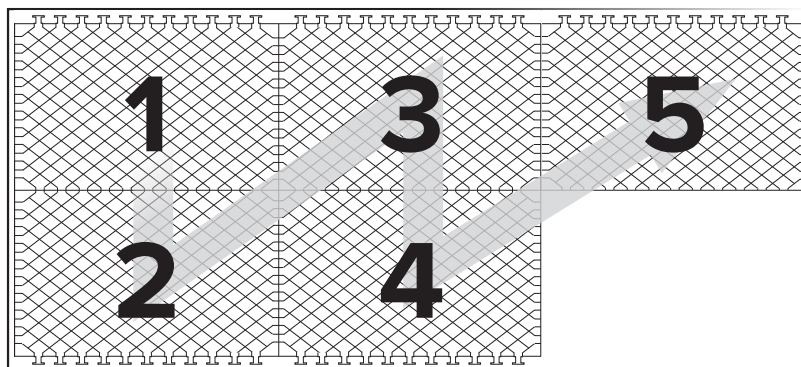
**Use a grader or a Bobcat and spread spreader bar, level the site in readiness to lay your DiamondGrid™.**



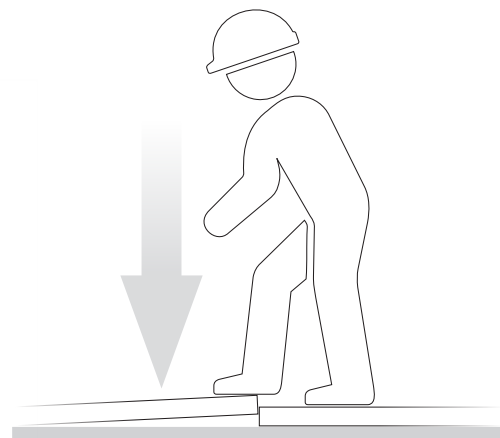
**Note:** If the site is still uneven, 0.4” (10mm) of crushed 0.2” (5mm) minus rock and fines can be spread as bedding.

**4**

Lay the DiamondGrid™ grids starting in one corner with the male lugs facing outwards on both male sides. Depress each connection until flat and secure.



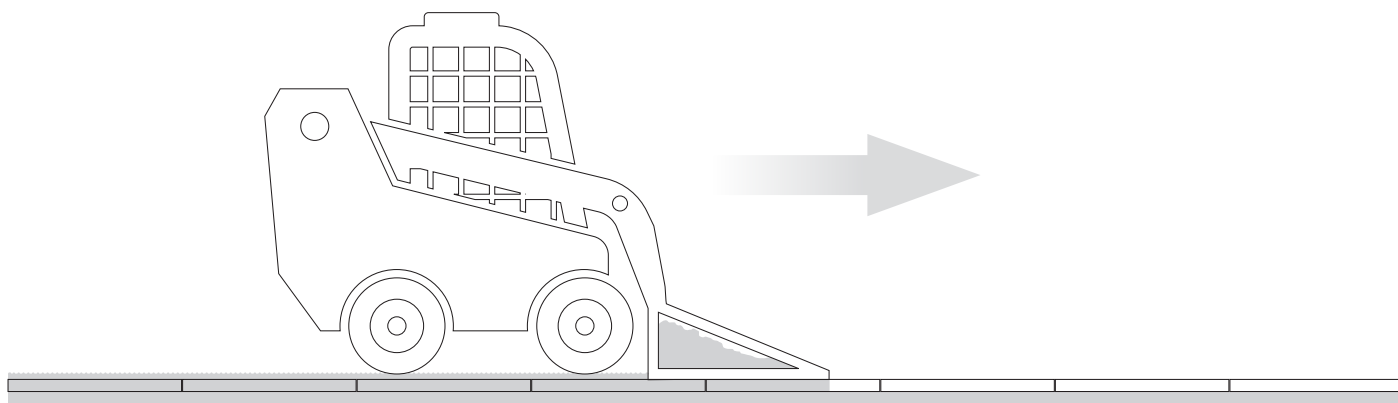
TOP VIEW OF PATH



SIDE VIEW OF PATH

5

Fill the DiamondGrid™ with a Bobcat and spreader bar or something similar with your choice of DiamondGrid™ recommended filler materials.



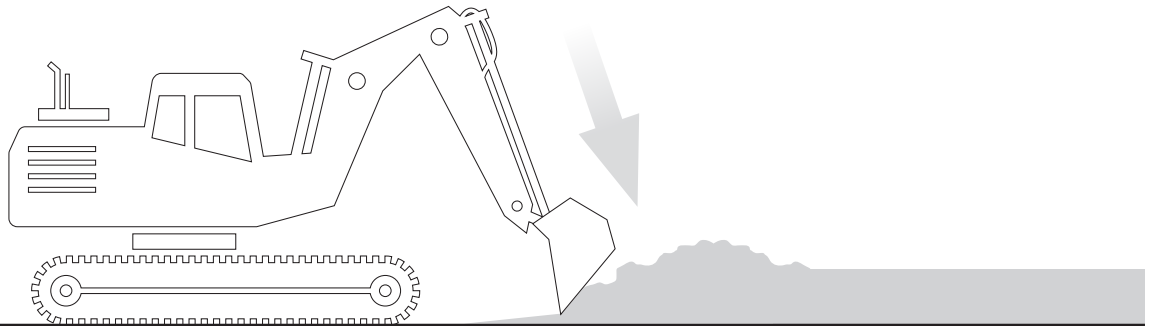
6



# DiamondGrid™

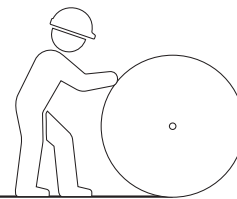
## Excavation and Major Base Preparation

Excavate the site to a depth of 7.9" (200mm) to 13.8" (350mm) depending on the consistency of the sub-grade.



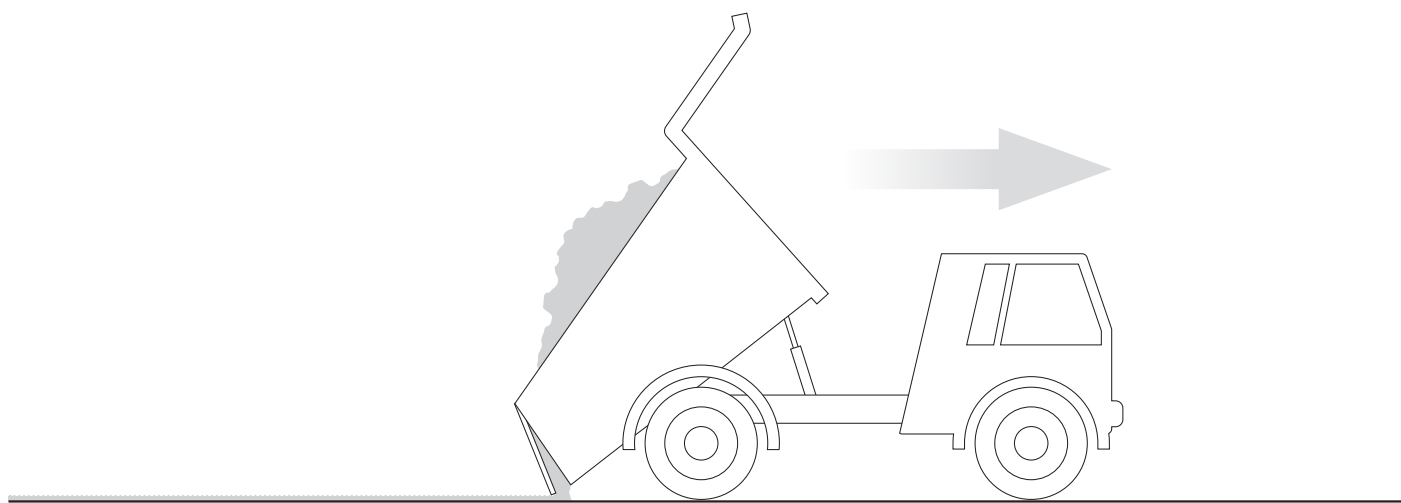
1

Lay fabric over the area where the grids are going to be laid.



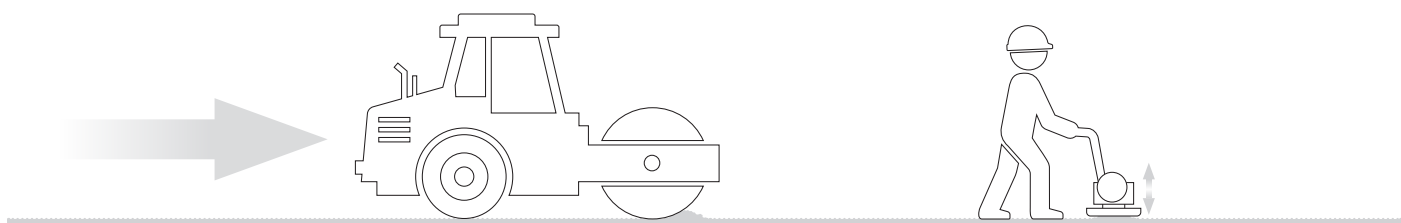
2

**Cover the fabric with road base.**



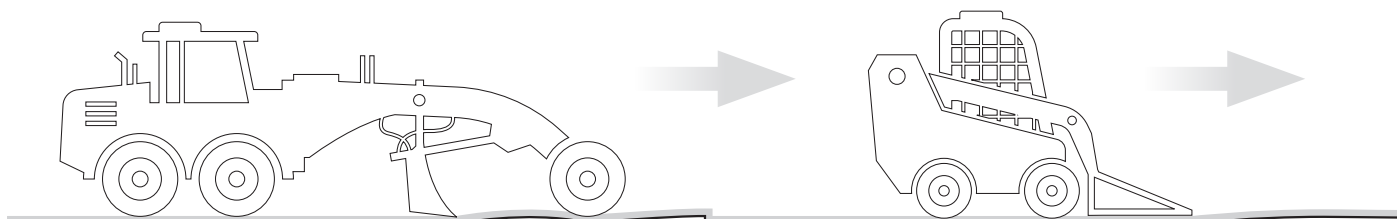
**3**

**Compact road base with rollers or vibrating plate to a level 1.6" (40mm) below finish height.**



**4**

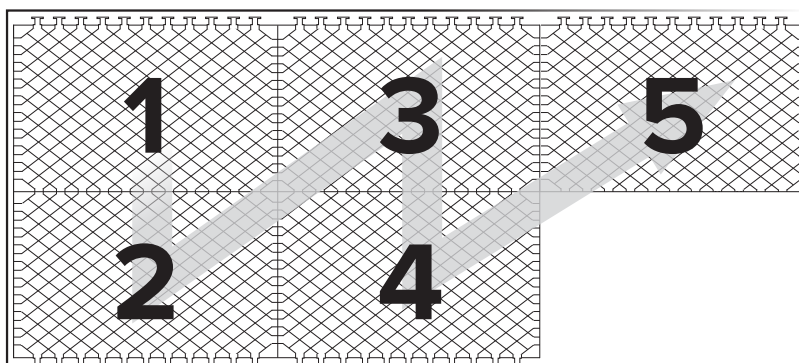
Use a grader or a Bobcat and spread spreader bar, level the site in readiness to lay your DiamondGrid™.



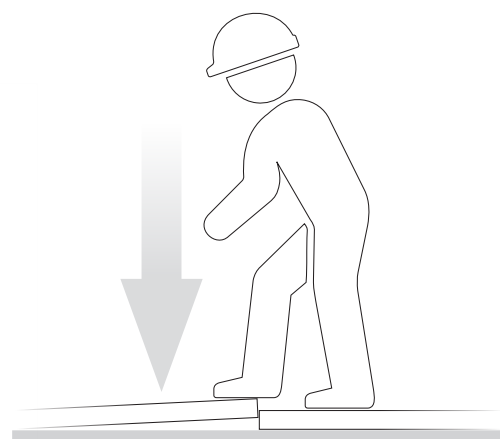
**Note:** If the site is still uneven, 0.4” (10mm) of crushed 0.2” (5mm) minus rock and fines can be spread as bedding.

**5**

Lay the DiamondGrid™ grids starting in one corner with the male lugs facing outwards on both male sides. Depress each connection until flat and secure.



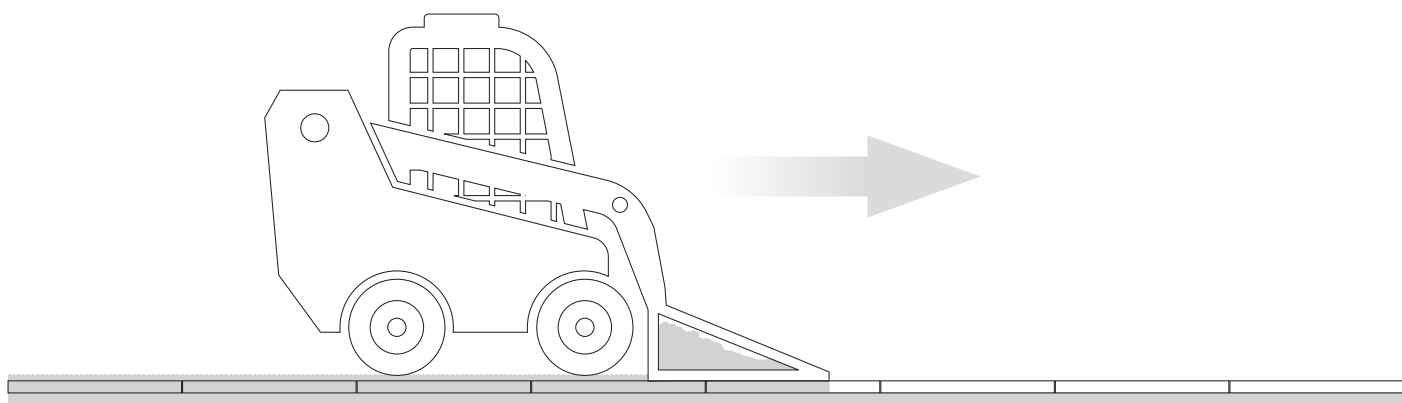
TOP VIEW OF PATH



SIDE VIEW OF PATH

**6**

Fill the DiamondGrid™ with a Bobcat and spreader bar or something similar with your choice of DiamondGrid™ recommended filler materials.



7

# FOR A SOLID SURFACE, ANYWHERE.

---

DiamondGrid™ International Pty Ltd makes no representations or warranties in respect of the suitability of the DiamondGrid™ product to any customers' individual applications. The information in this guide is general only and customers should seek advice prior to commencing installation to ensure that the conditions of their project are catered to. DiamondGrid™ International Pty Ltd accepts no liability where damage is caused to the DiamondGrid™ due to a failure to seek appropriate installation advice prior to commencing the project.